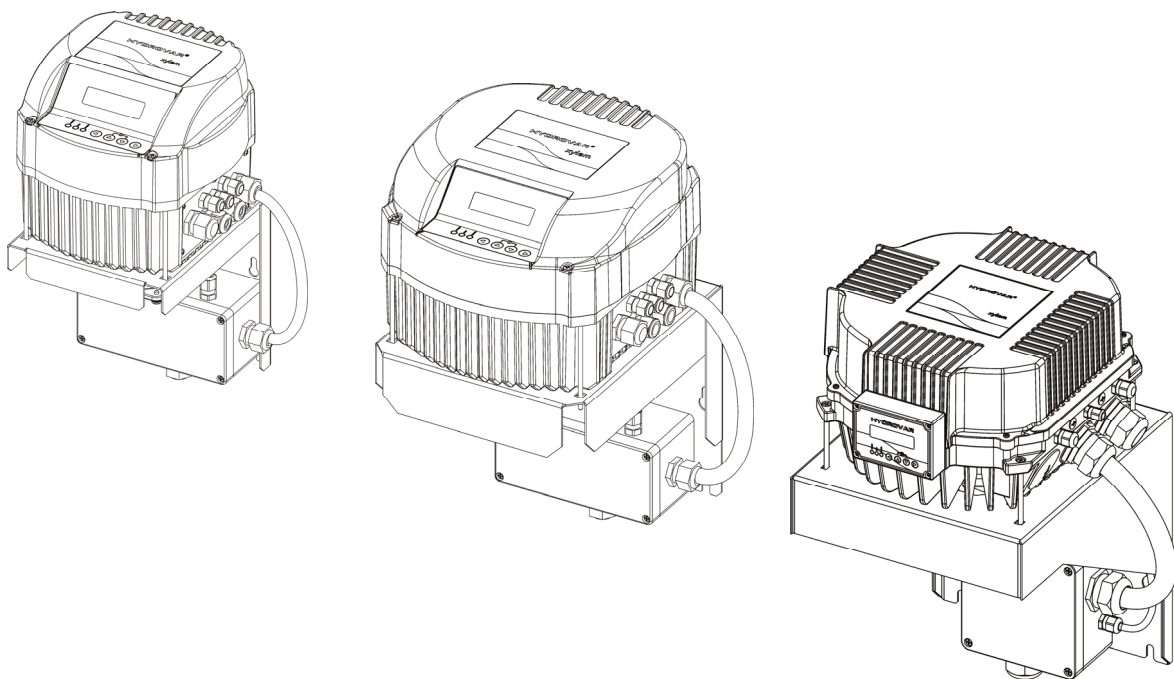


xylem

HYDROVAR[®]

HV 2.015-4.220
Wall mounting kit

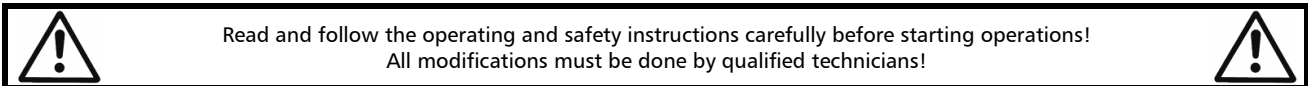
Mounting instruction



V 2012/03A
771079500

DE-EN-FR-IT-ES-PT-NL-FI-SV-DA-NO-PL-RU-CS-SL

Important safety instructions



Warning that failure to observe the precaution may cause electric shock



Warning that failure to observe the precaution may cause personal injury or damage to property.

In addition to these operating instructions please pay attention to universal safety and accident prevention regulations.

Basically the HYDROVAR must be disconnected from the power supply before any work can be carried out on the electrical or mechanical part of the system.

Installation, maintenance and repair work may be carried out only by trained, skilled and qualified personnel.

Unauthorized modification or changes to the system make all guarantees null and void.

During operation, the motor can be stopped by opening a digital input or manual operation whereby the HYDROVAR and the motor remain under voltage. For safety reasons, the HYDROVAR has to be disconnected from the power supply when carrying out work on the machinery.



When the HYDROVAR is connected to the power supply, the components of the power unit as well as certain components of the control unit are connected directly to mains.

Touching these components seriously endangers life!

Before removing the HYDROVAR cover the system must be disconnected from the power supply. After switching off the power supply wait **at least 5 minutes** before starting work on or in the HYDROVAR (the capacitors in the intermediate circuit are discharged by the internal discharge resistors).

Voltages of up to 800 volts are possible (in case of error these also can be higher)

All work, carried out on the HYDROVAR, may only be performed by qualified and authorized staff.

Furthermore, take care not to short circuit the neighbouring components when connecting the external control wires. All cable ends which are not in use have to be isolated.



The HYDROVAR contains electronic safety devices which switch off the control element in the event of a fault, whereby the motor has zero current but remains energised and comes to a halt. The motor can also be halted by mechanical blocking. If it is switched off electronically the motor is current less from the mains voltage through the electronics of the HYDROVAR but is not potential-free in the circuit.

In addition voltage fluctuations, especially power failures can cause the system to switch itself off.

Repair of faults can cause the motor to start up again automatically!



The system may only be put into operation when it has been grounded.

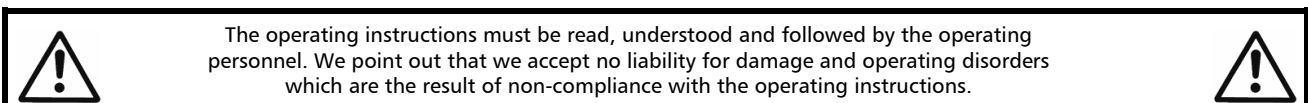
In addition to that, equipotential bonding of all conductive pipes must be ensured.

Please consider local installation standards!

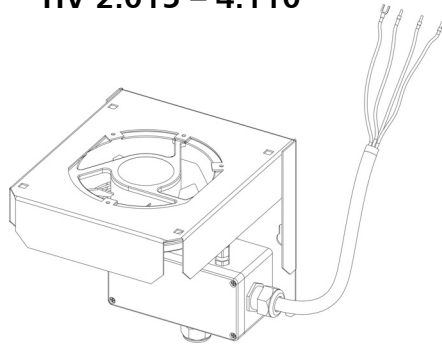


High voltage tests of the HYDROVAR or the motor may damage the electronic components! Hence bridge the in- and outgoing terminals L1 - L2 - L3 / U-V-W before.

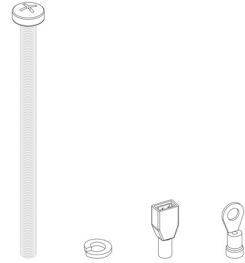
To avoid incorrect metering by capacitors incorporated in the electronic part isolate the motor from the HYDROVAR.



HV 2.015 – 4.110



M5x90



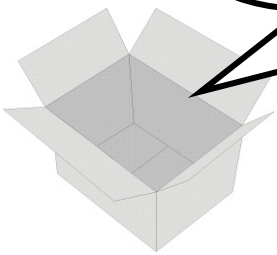
1x

4x

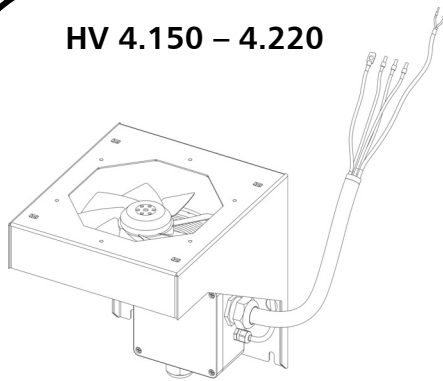
4x

3x

1x

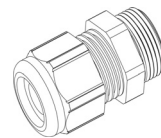
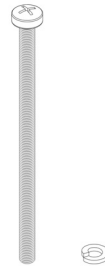


HV 4.150 – 4.220



M6x100

M40

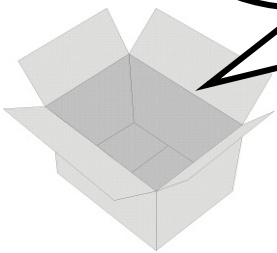


1x

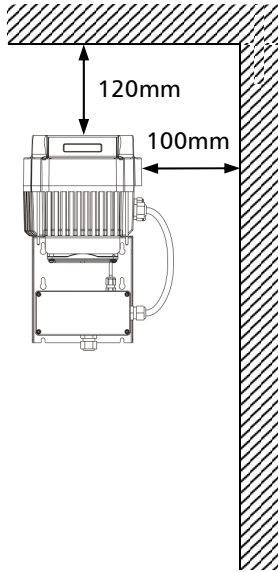
4x

4x

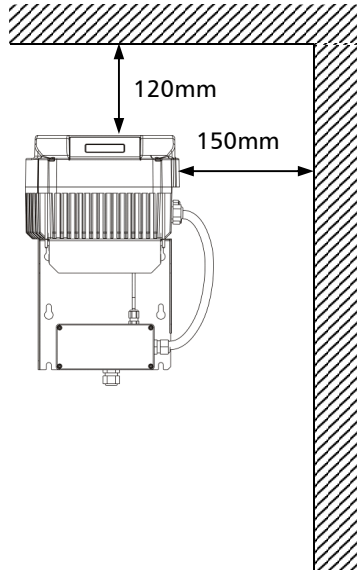
2x



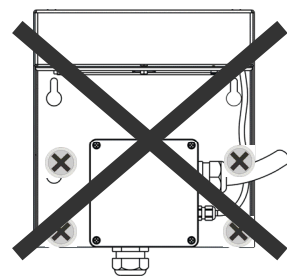
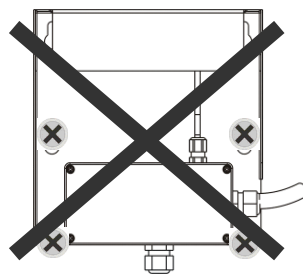
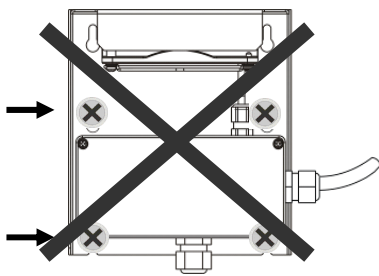
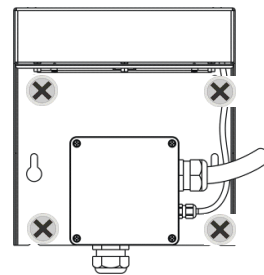
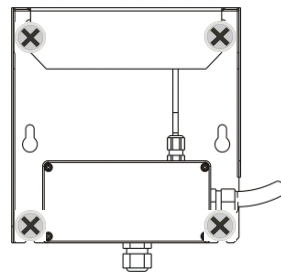
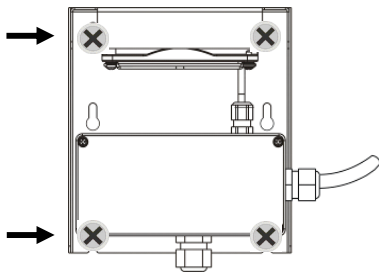
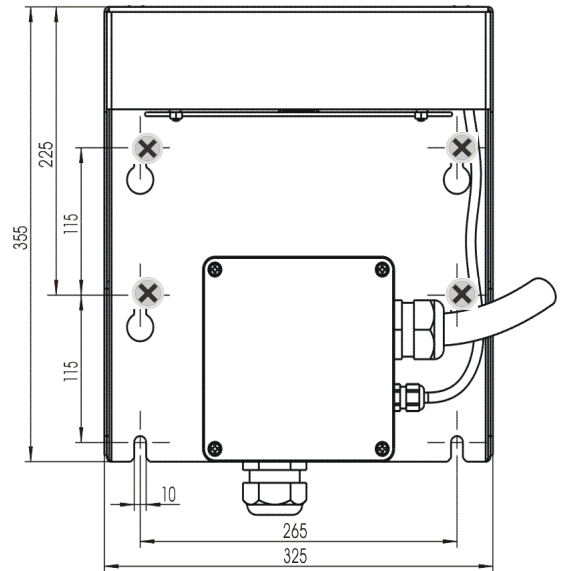
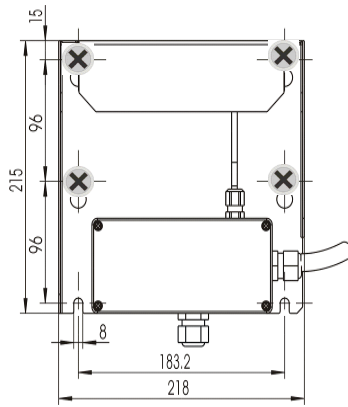
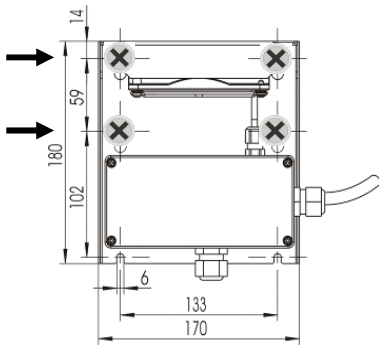
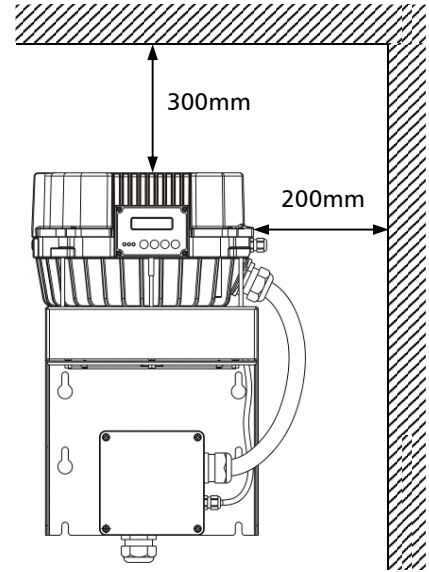
HV 2.015 – 4.040



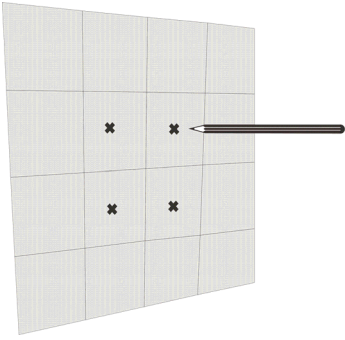
HV 4.055 – 4.110



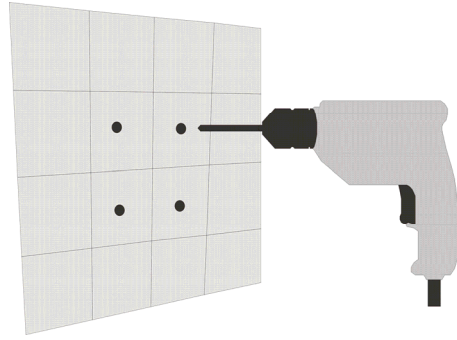
HV 4.150 – 4.220



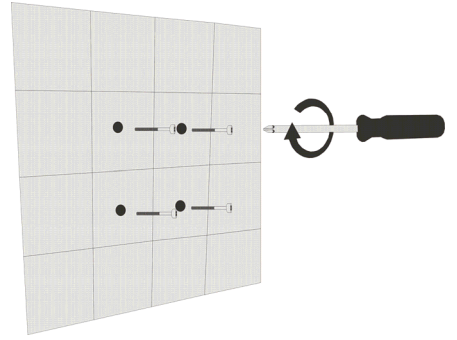
1



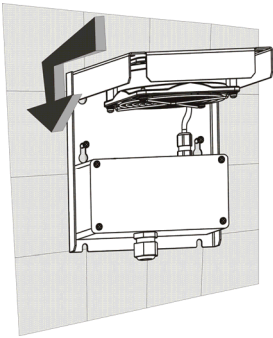
2



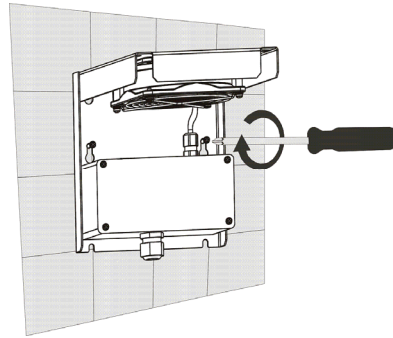
3



4

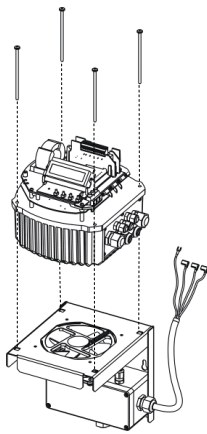


5

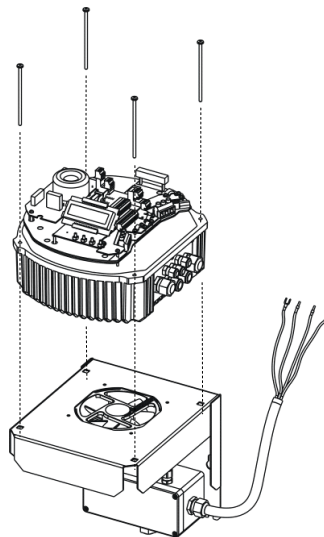


6

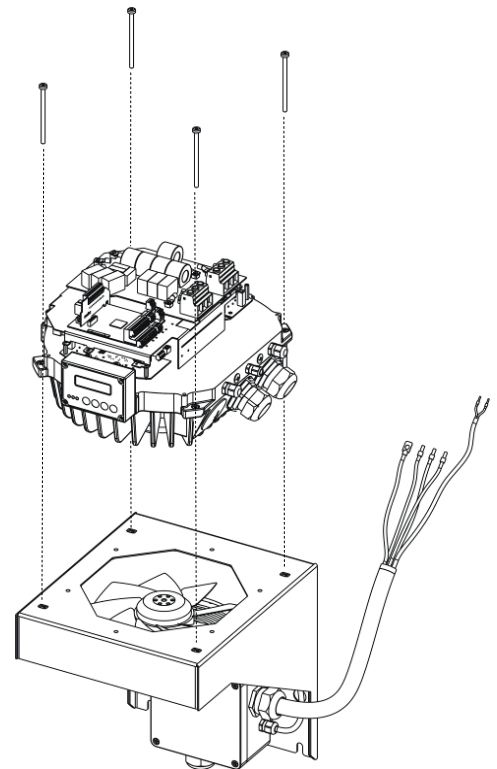
HV 2.015 – 4.040



HV 4.055 – 4.110

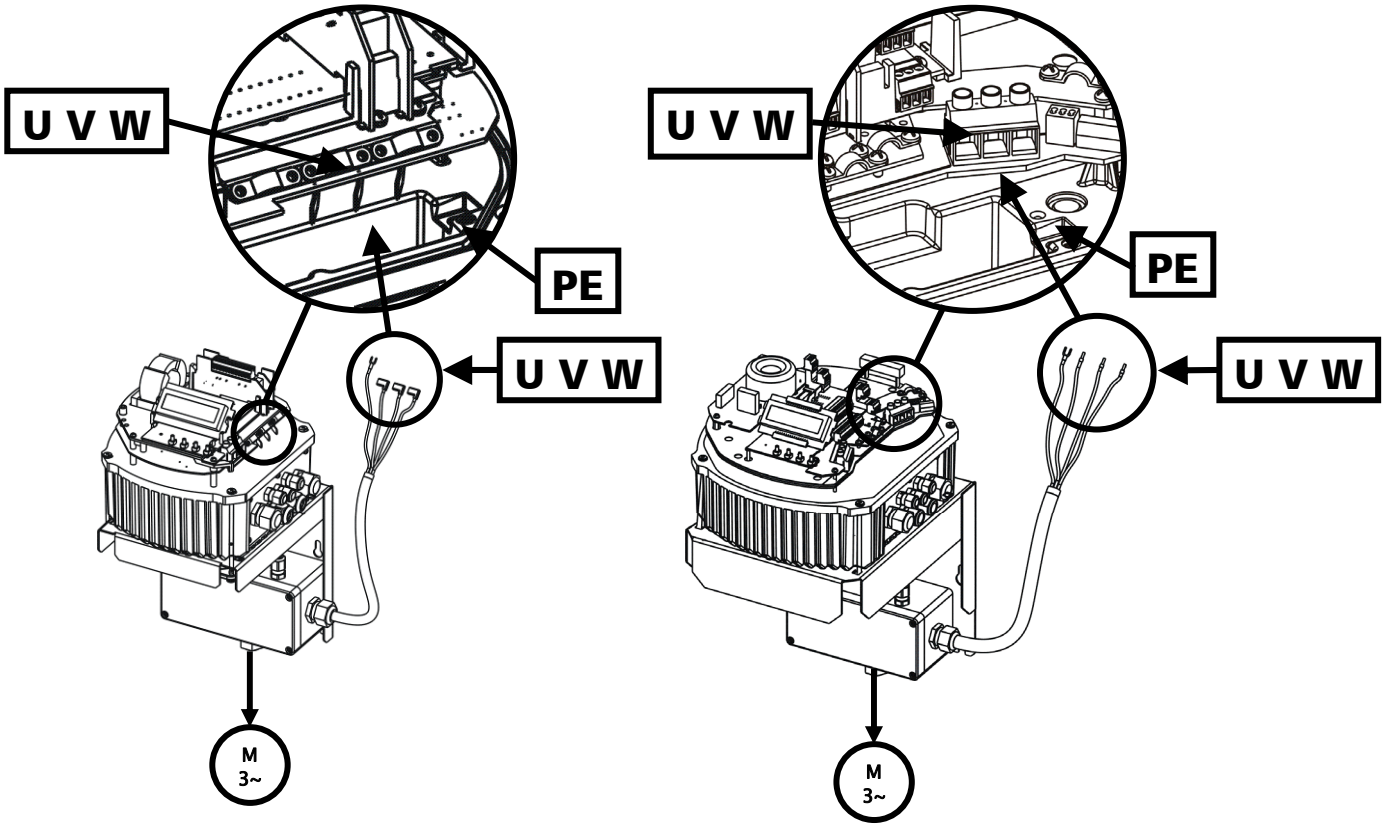


HV 4.150 – 4.220

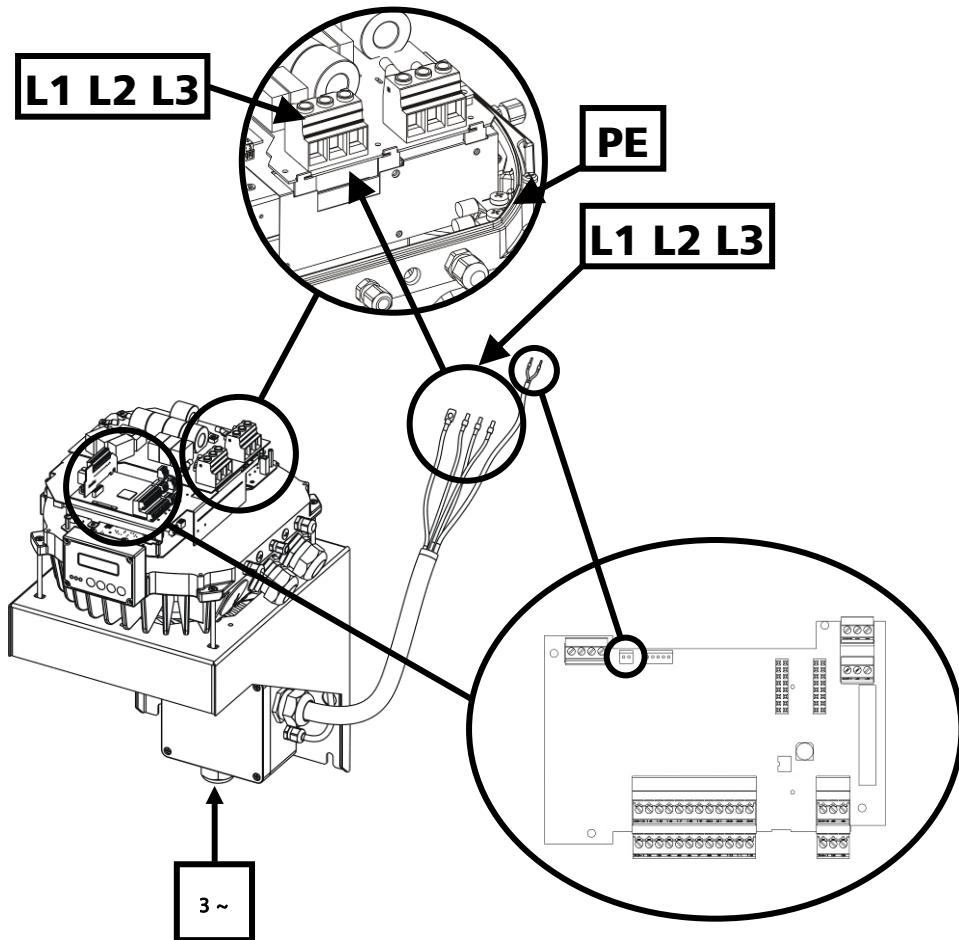


HV 2.015 – 4.040

HV 4.055 – 4.110



HV 4.150 – 4.220

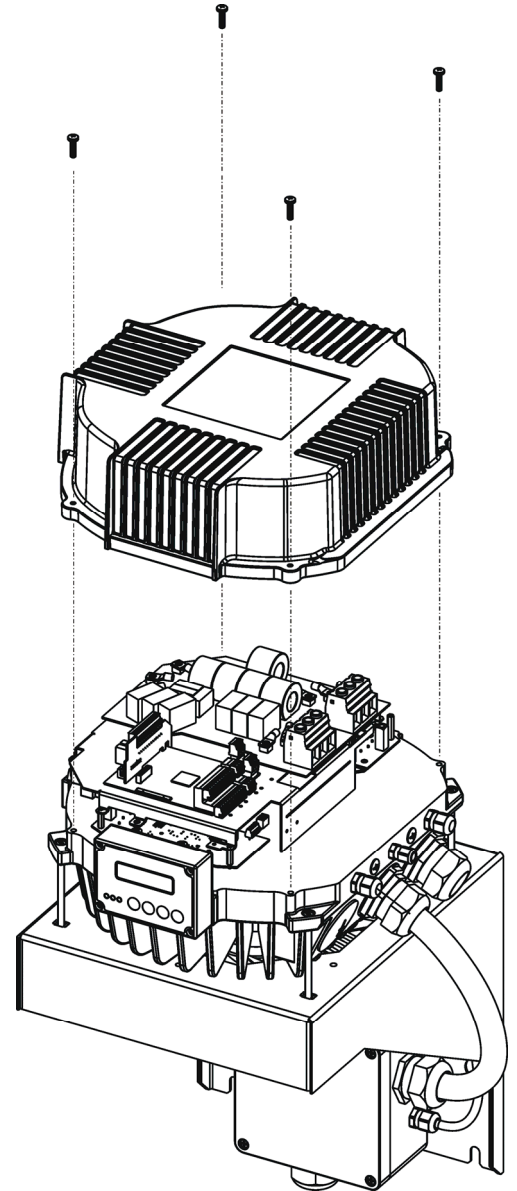
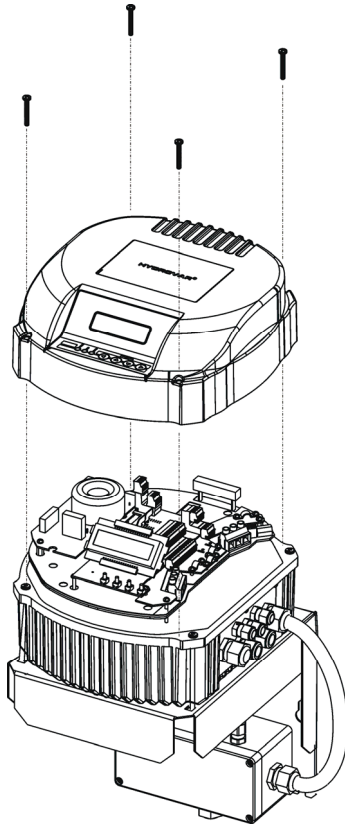
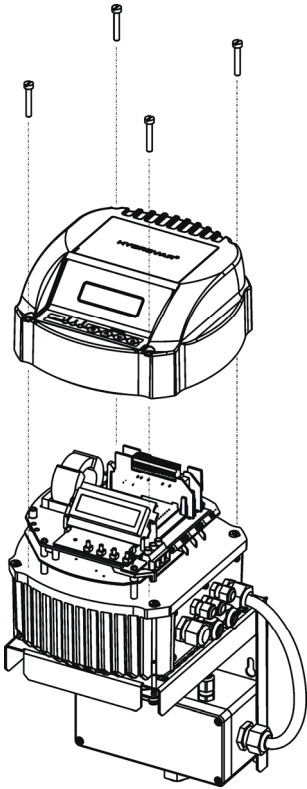


8

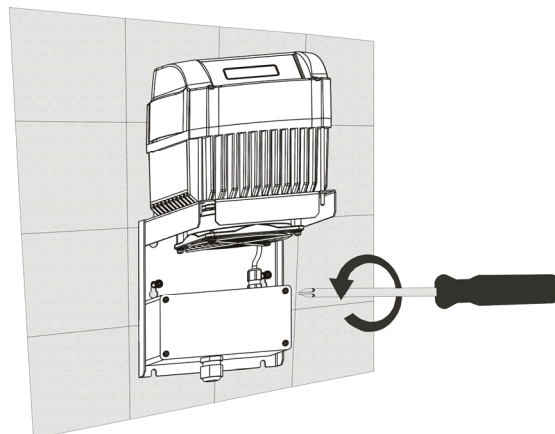
HV 2.015 – 4.040

HV 4.055 – 4.110

HV 4.150 – 4.220



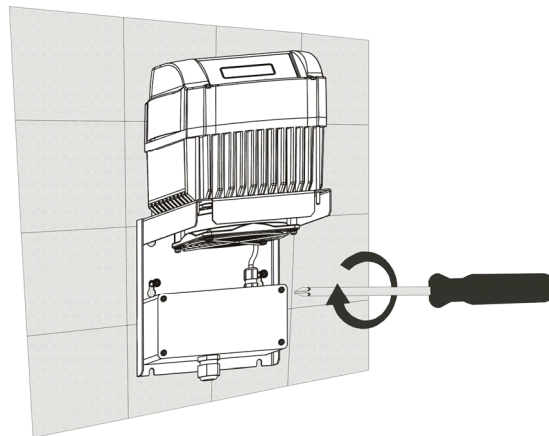
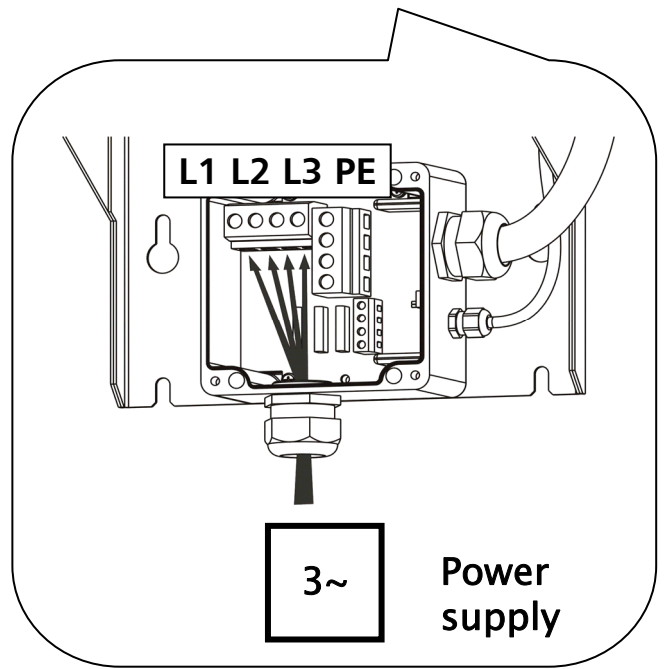
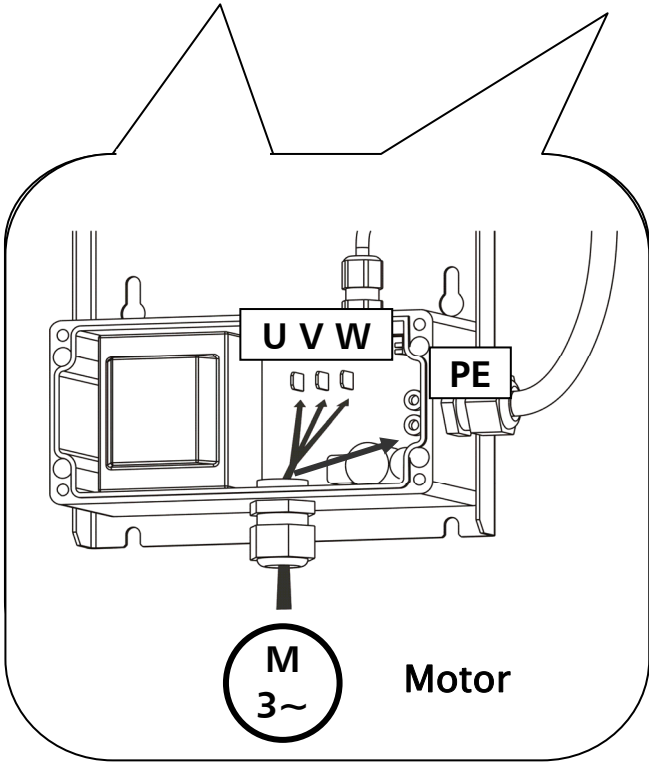
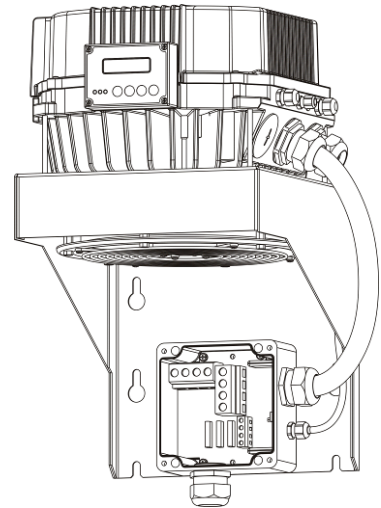
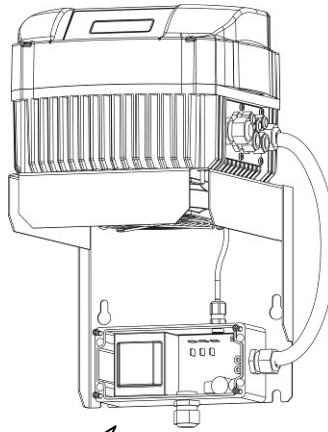
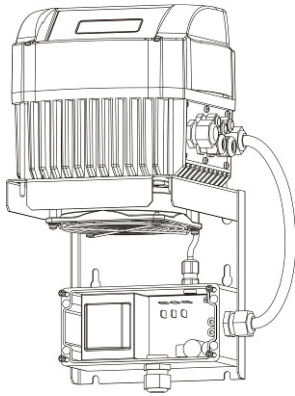
9



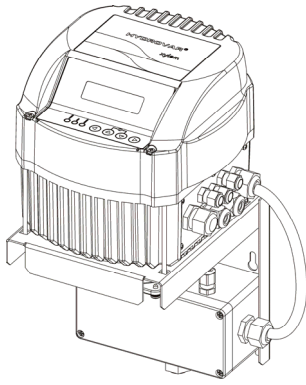
HV 2.015 – 4.040

HV 4.055 – 4.110

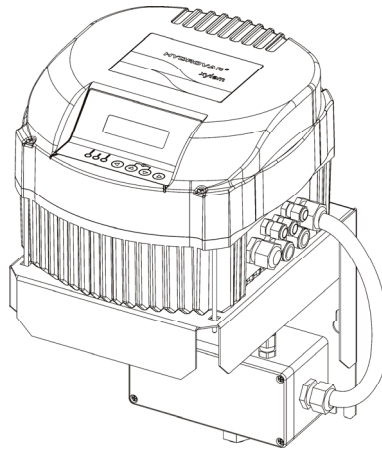
HV 4.150 – 4.220



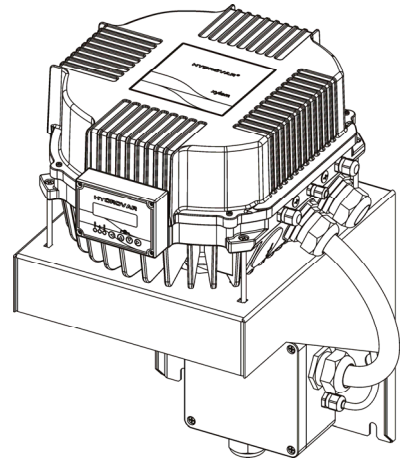
HV 2.015 – 4.040



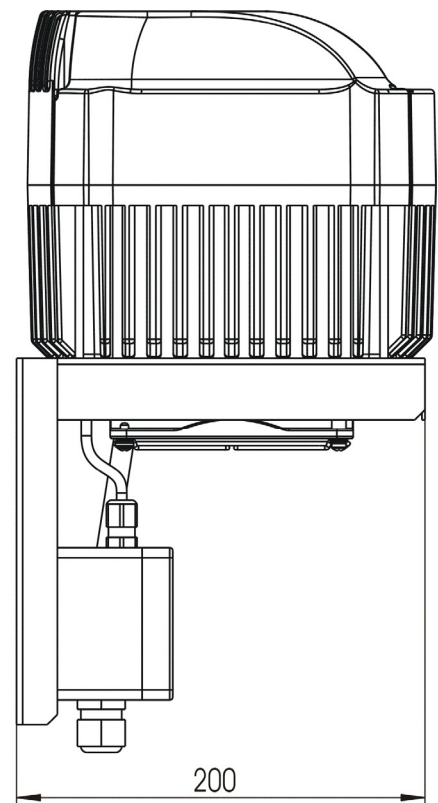
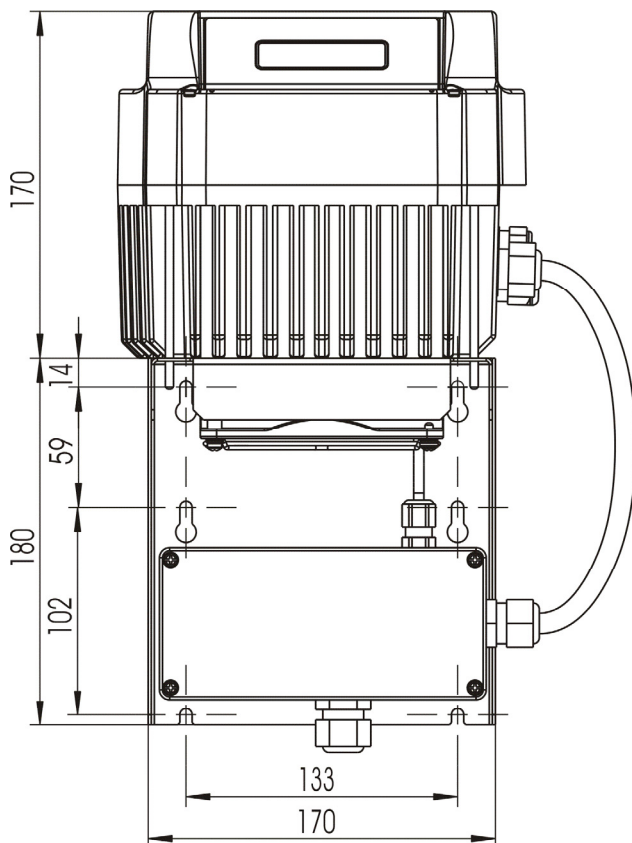
HV 4.055 – 4.110



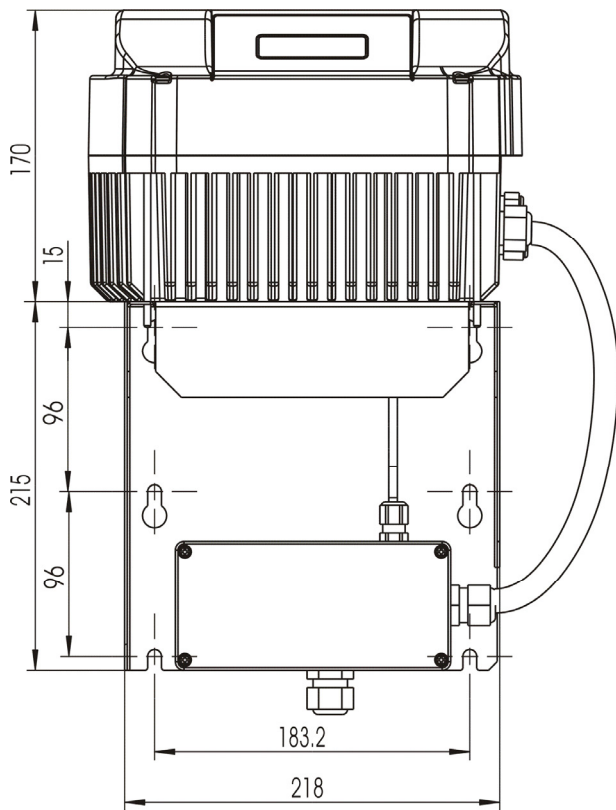
HV 4.150 – 4.220



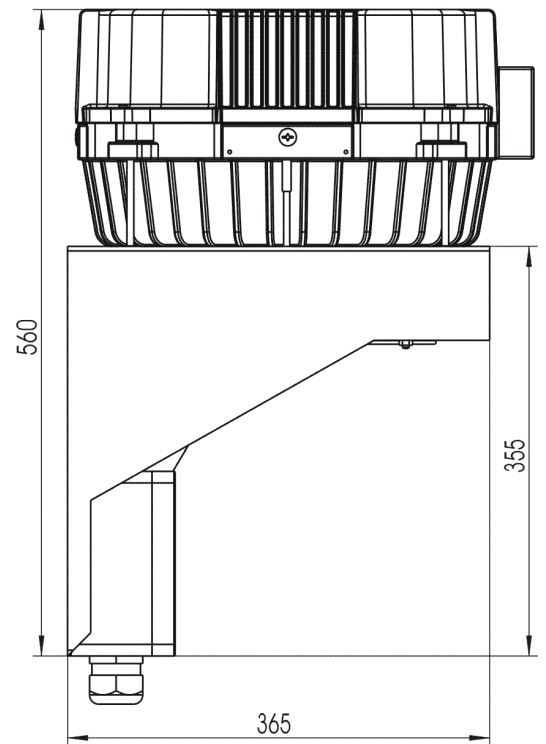
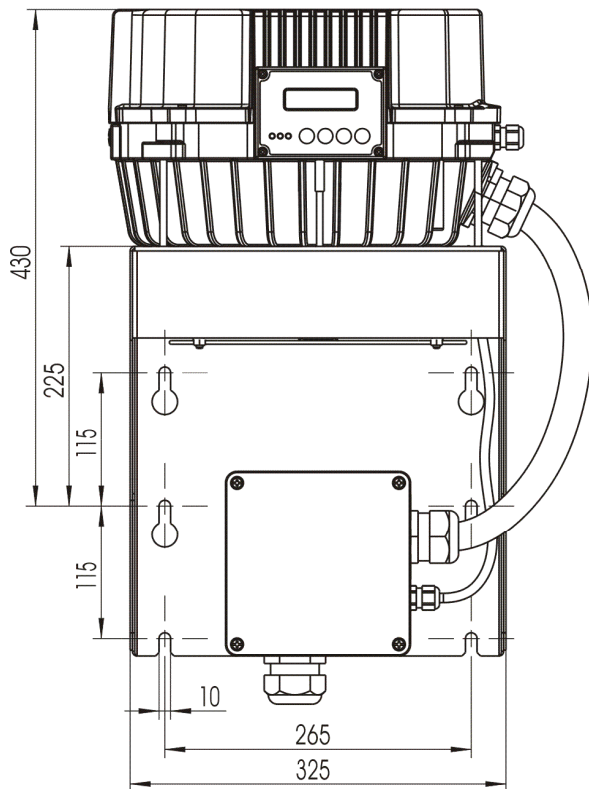
HV 2.015 – 4.040



HV 4.055 – 4.110



HV 4.150 – 4.220





XYLEM WATER SOLUTIONS AUSTRIA GMBH
Ernst-Vogel Strasse 2
2000 Stockerau
Österreich
Telefon: +43 (0) 2266 / 604
Telefax: +43 (0) 2266 / 65311
e-mail: info.austria@xylem.com
web: www.xylemaustria.com

Xylem Water Solutions Austria GmbH reserves the right to make modifications without prior notice.
© 2012 Xylem, Inc